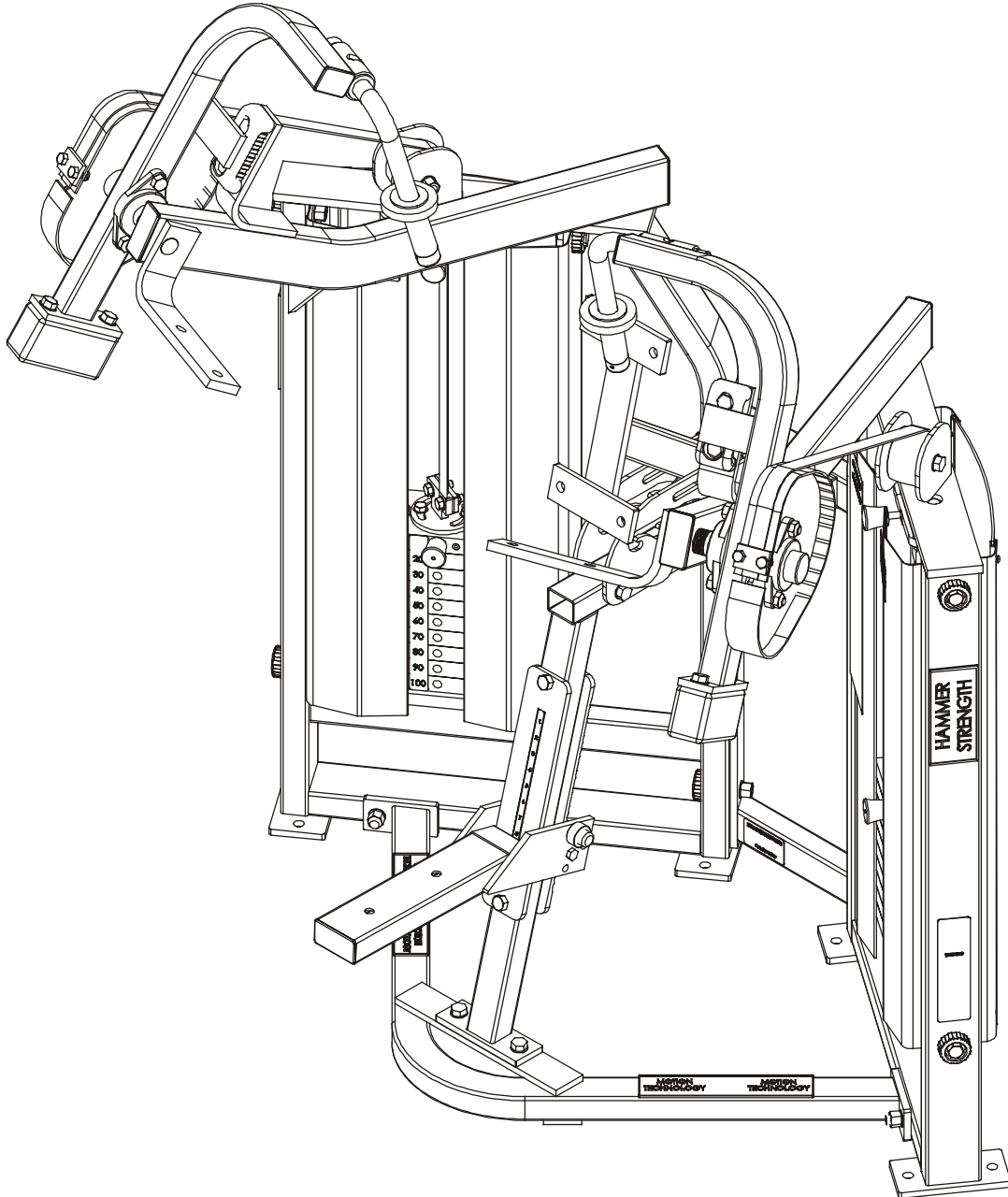


# LifeFitness

## MTS - MOTION TECHNOLOGY SELECTORIZED MTTE TRICEPS EXTENSION



## Customer Support Services **PARTS MANUAL**

# MTTE TRICEPS EXTENSION

Notes:

---

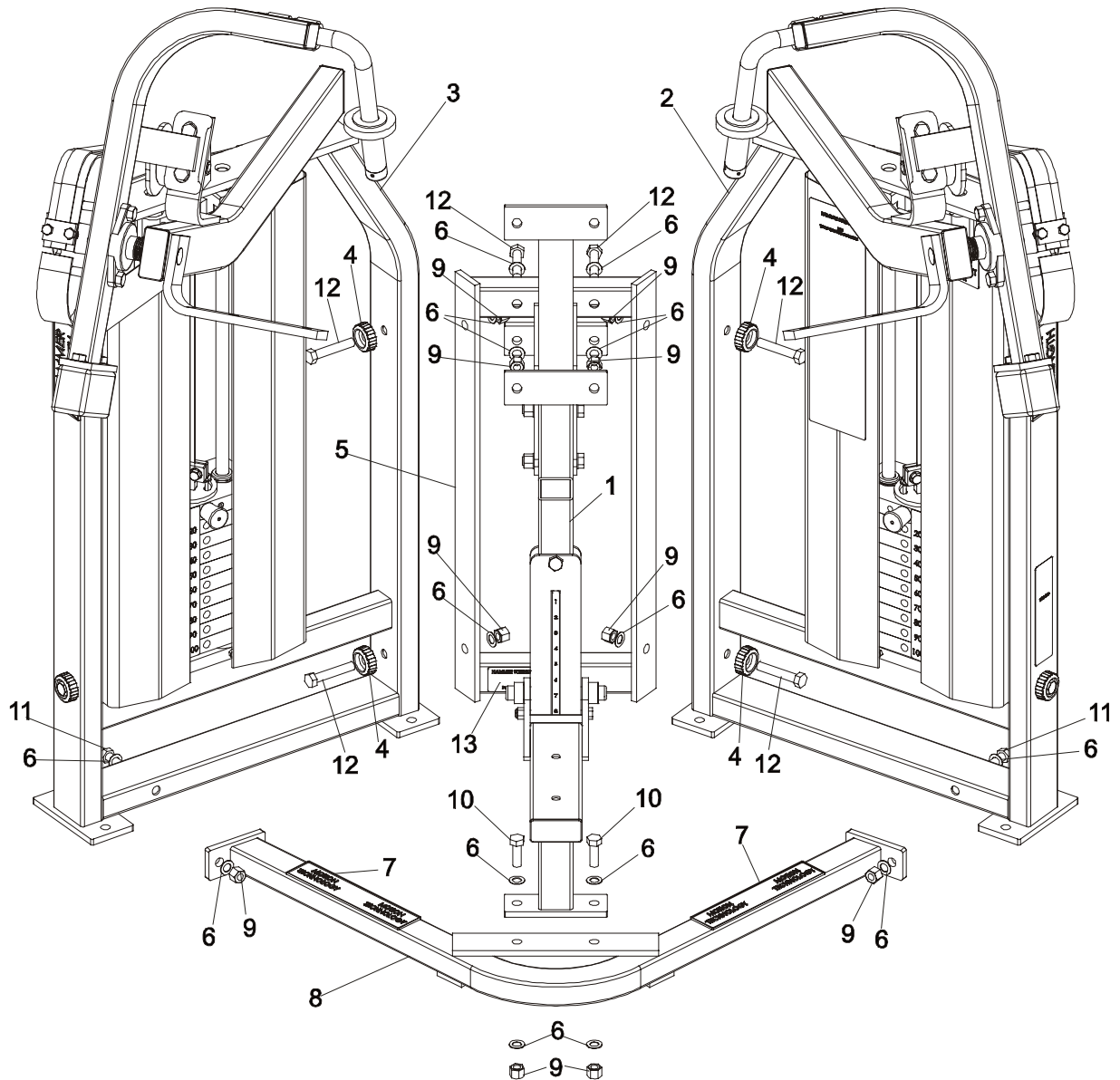
# MTTE TRICEPS EXTENSION

## Contents

---

	PAGE
COMPONENT ASSEMBLY.....	4
LEFT MOVEMENT ARM.....	5
RIGHT MOVEMENT ARM.....	6
LEFT STACK ASSEMBLY .....	7
LEFT STACK CALLOUTS.....	8
RIGHT STACK ASSEMBLY .....	9
RIGHT STACK CALLOUTS.....	10
LEFT STACK BUMPERS .....	11
RIGHT STACK BUMPERS .....	12
SEAT FRAME WELDMENT.....	13
SEAT FRAME ASSEMBLY.....	14
SEAT ROLLER ASSEMBLY.....	15
WEIGHT STACK.....	16
LEFT STACK DECALS.....	17
RIGHT STACK DECALS .....	18

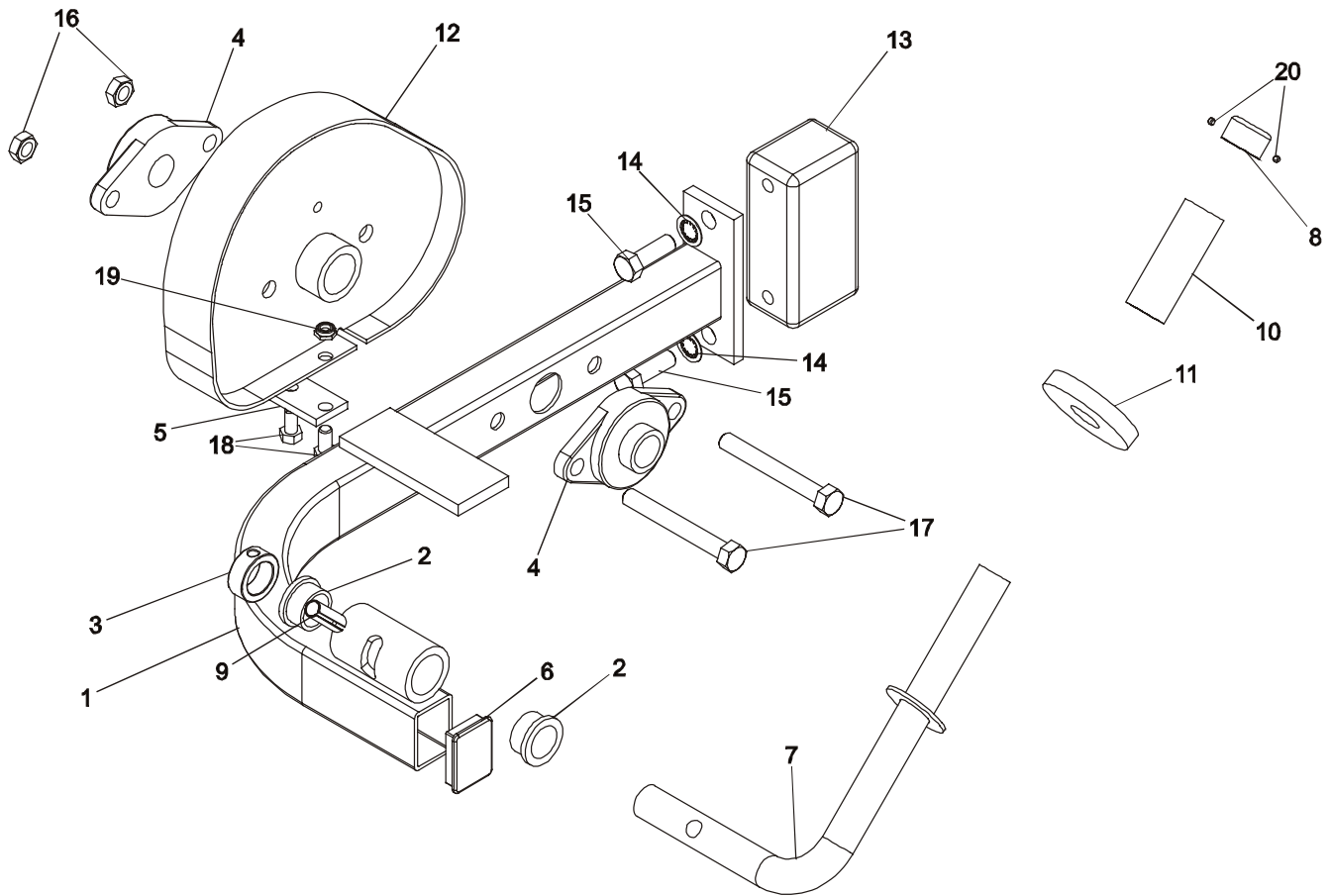
# MTTE TRICEPS EXTENSION COMPONENT ASSEMBLY



ITEM NO.	QTY.	PART NO.	DESCRIPTION
1	1	MTTE-A0001	Seat Frame Assembly
2	1	MTTE-A0003	Right Stack Frame Assembly
3	1	MTTE-A0004	Left Stack Frame Assembly
4	4	0017-00042-1041	HAMMER HEAD WASHER
5	1	MTTE-S0002	Back Frame Sub-Assembly
6	16	0017-00104-0379	1/2" INTERNAL LOCK WASHER
7	2	0017-00042-1045	1.875 X 9.25 FRAME GUARD
8	1	MTTE-S0009	Base Frame Subassembly
9	10	0017-00103-0223	1/2" THICK LOCK NUT
10	2	0017-00101-1584	1/2 X 1 1/2 Bolt
11	2	0017-00101-1576	1/2 X 4 1/4 Bolt
12	6	0017-00101-1573	1/2 X 2 3/4 Bolt
13	1	M051-00299-A000	HAMMER PATENT DECAL

# MTTE TRICEPS EXTENSION

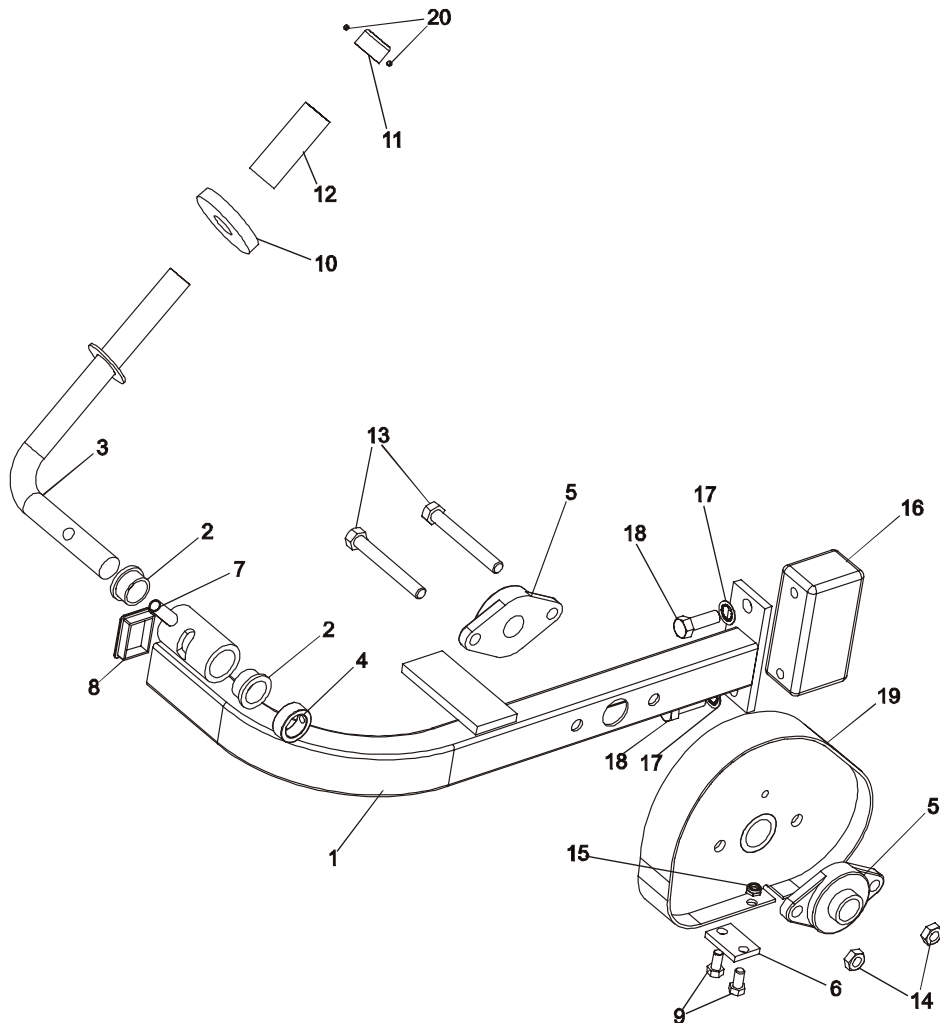
## LEFT MOVEMENT ARM



ITEM NO.	QTY.	PART NO.	DESCRIPTION
1	1	MTTE-S0006	(LEFT) Movement Arm
2	2	0017-00009-0925	1" I.D. OILLITE BUSHING
3	1	0017-00009-0942	1" ID SHAFT COLLAR BORED .020
4	2	0017-00009-1034	Small Bearing
5	1	MTLC-P0016	STRAP CLAMP
6	1	0017-00042-0945	1 1/2 X 2 Endcap
7	1	MTTE-S0007	(LEFT) Handlebar Sub Assy.
8	1	0K50-P0315-2000	END CAP
9	1	0017-00007-0251	SPLIT PIN
10	1	H-GRIP	HANDLE GRIP (3.375")
11	1	0K50-P0352-0000	
12	1	MTTE-S0012	MTTE Cam Assembly
13	1	MTBC-P0023	MTS COUNTER WEIGHT
14	2	0017-00104-0379	WSH .500 INT LOCK ST ZN
15	2	0017-00101-1584	1/2-13 X 1.50 UNC HEX BLT G5 ZN
16	2	0017-00103-0224	1/2-13 JAM LOCK NUT ST BZ
17	2	0017-00101-1580	1/2 X 4 BOLT
18	2	0017-00101-1428	3/8-16 X 12 UNS HEX BLT G8ZN
19	2	0017-00103-0217	NUT 3/8 - NYLOC; THIN NY NO
20	2	0017-00101-1406	10-32 X 1/8" SET SCREW

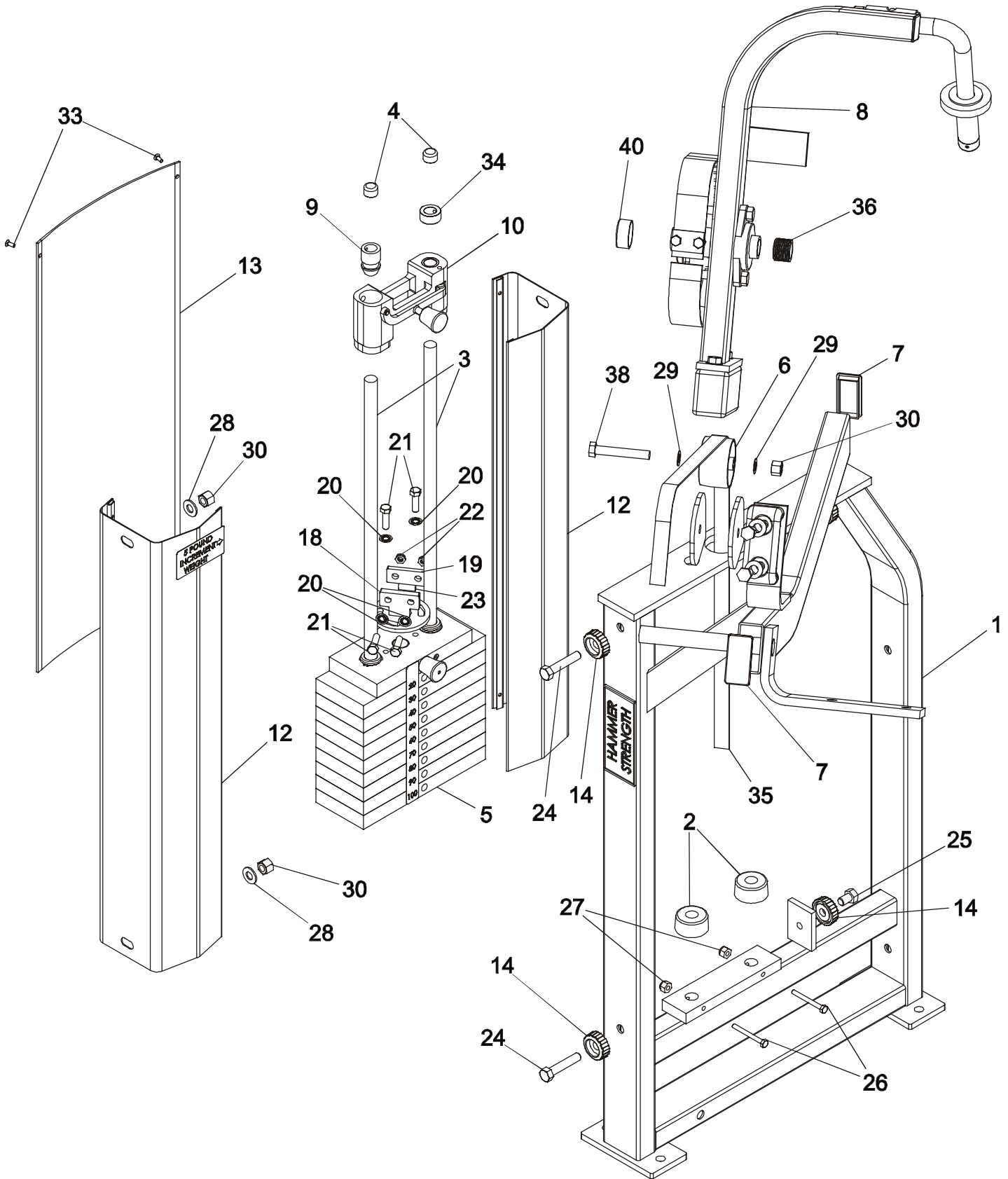
# MTTE TRICEPS EXTENSION

## RIGHT MOVEMENT ARM



ITEM NO.	QTY.	PART NO.	DESCRIPTION
1	1	MTTE-S0005	(RIGHT) Movement Arm
2	2	0017-00009-0925	1" I.D. OILLITE BUSHING
3	1	MTTE-S0008	(RIGHT) Handlebar Sub Assy.
4	1	0017-00009-0942	1" ID SHAFT COLLAR BORED .020
5	2	0017-00009-1034	Small Bearing
6	1	MTLC-P0016	STRAP CLAMP
7	1	0017-00007-0251	SPLIT PIN
8	1	0017-00042-0945	1 1/2 X 2 Endcap
9	2	0017-00101-1428	3/8-16 X 12 UNS HEX BLT G8ZN
10	1	0K50-P0352-0000	
11	1	0K50-P0315-2000	END CAP
12	1	H-GRIP	HANDLE GRIP (3.375")
13	2	0017-00101-1580	1/2 X 4 BOLT
14	2	0017-00103-0224	1/2-13 JAM LOCK NUT ST BZ
15	2	0017-00103-0217	NUT 3/8 - NYLOC; THIN NY NO
16	1	MTBC-P0023	MTS COUNTER WEIGHT
17	2	0017-00104-0379	WSH .500 INT LOCK ST ZN
18	2	0017-00101-1584	1/2-13 X 1.50 UNC HEX BLT G5 ZN
19	1	MTTE-S0011	CAM WELDMENT, LEFT
20	2	0017-00101-1406	10-32 X 1/8" SET SCREW

# MTTE TRICEPS EXTENSION LEFT STACK ASSEMBLY



# MTTE TRICEPS EXTENSION

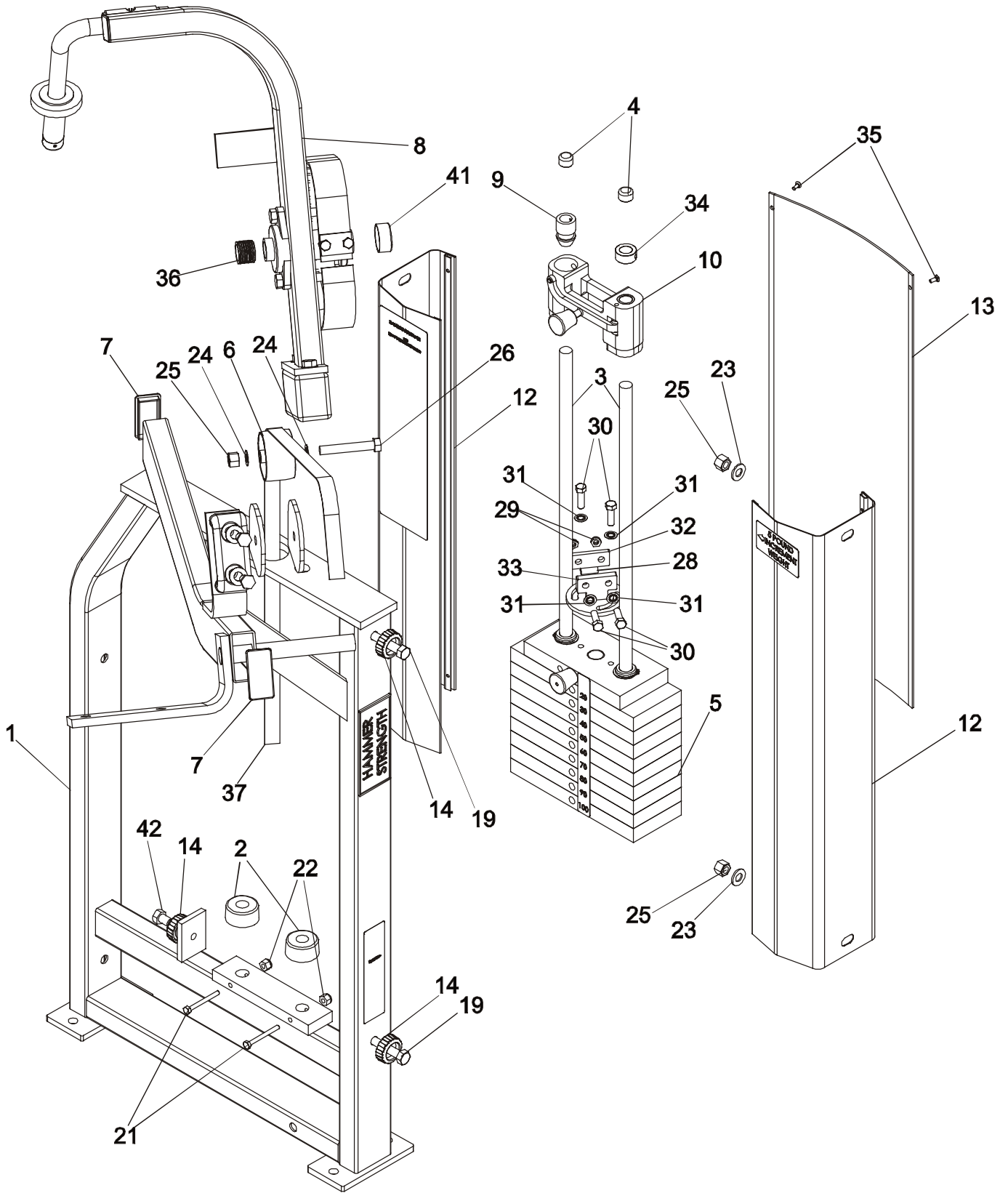
## LEFT STACK CALLOUTS

---

ITEM NO.	QTY.	PART NO.	DESCRIPTION
1	1	MTTE-S0004	STACK FRAME (LEFT)
2	2	0017-00042-0993	WEIGHT STACK DONUT 1" THICK
3	2	0017 00009-0933 (MTBC)	CHROME ROD (31.75")
4	2	0017-00042-0967	3/4 I.D. BLACK PLASTIC ROD CAP
5	1	AK50-WS020	MTS 100 LB WEIGHT STACK
6	1	0017-00009-1039	3" PULLEY ASSEMBLY
7	2	0017-00042-1038	1.5" X 3.0" PLASTIC END CAP
8	1	MTTE-A0006	(LEFT) M. ARM ASSEMBLY
10	1	AK50-S0021	Increment Weight Assembly
12	2	MTBC-P0020	MTS SIDE SHIELD
13	1	OK50-P1161(FORMED)	MTS PLASTIC PANEL
14	4	0017-00042-1041	HAMMER HEAD WASHER
18	1	AK50-S0025	BELT ATTACHMENT PLATE
19	1	OK50-P1121	Strap Clamp 2
20	4	0017-00104-0377	WSH .375 INT LOCK ST ZN
21	4	0017-00101-1412	3/8-16 X 20 UNS HEX BLT G5 ZN
22	2	0017-00103-0217	NUT 3/8 - NYLOC; THIN NY NO
23	1	OK50-P1132	BELT WRAP PEG
24	2	0017-00101-1572	1/2-13 X 2.50 UNS HEX BLT G5 ZN
25	1	0017-00101-1586	1/2-13 X .750 UNC HEX BLT G5 BLK ZN
26	2	0017-00101-1585	1/4-20 X 2.50 UNC HEX BLT G5 ZN
27	2	0017-00103-0226	NUT 1/4 - 20 NYLOC D ST ZN
28	5	0017-00104-0311	1/2" SAE FLAT WASHER
29	4	0017-00104-0379	1/2" INTERNAL LOCK WASHER
30	3	0017-00103-0223	1/2" THICK LOCK NUT
33	2	0017-00101-1587	SHIELD RIVET
34	1	0017-00009-1019	3/4" Lock Collar
35	1	0017-00033-0855 (MTTE)	MTTE STRAP (52..50")
36	1	0017-00042-1042.(MTTE)	BELLOW, PLASTIC
38	1	0017-00101-1574	1/2 X 3 1/4 Bolt
40	1	0017-00042-0954	1.375 X .750 BLACK RUBBER CAP



# MTTE TRICEPS EXTENSION RIGHT STACK ASSEMBLY



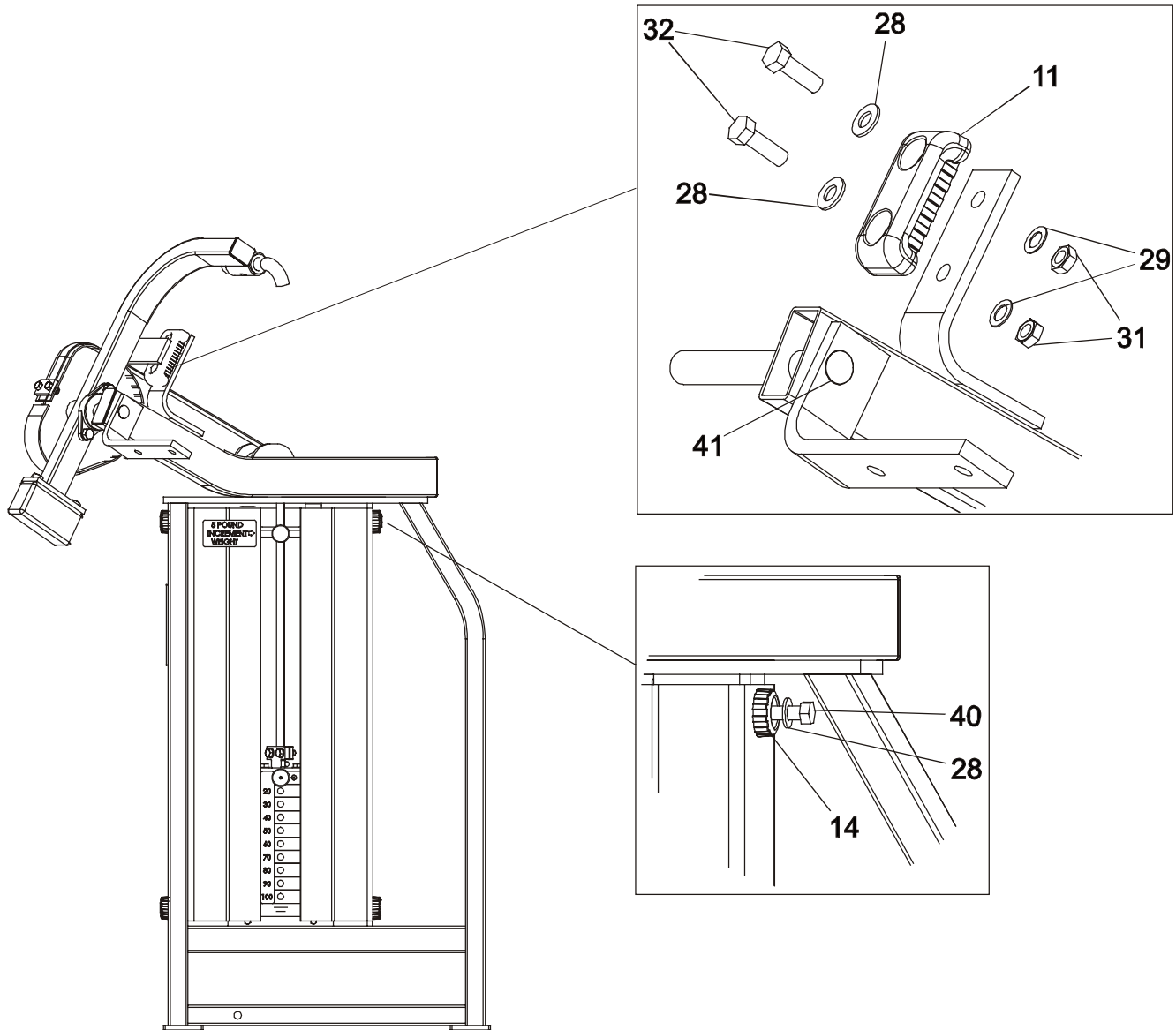
# MTTE TRICEPS EXTENSION

## RIGHT STACK CALLOUTS

ITEM NO.	QTY.	PART NO.	DESCRIPTION
1	1	MTTE-S0003	STACK FRAME (RIGHT)
2	2	0017-00042-0993	WEIGHT STACK DONUT 1" THICK
3	2	0017 00009-0933 (MTBC)	CHROME ROD (31.75")
4	2	0017-00042-0967	3/4 I.D. BLACK PLASTIC ROD CAP
5	1	AK50-WS020	MTS 100 LB WEIGHT STACK
6	1	0017-00009-1039	3" PULLEY ASSEMBLY
7	2	0017-00042-1038	1.5" X 3.0" PLASTIC END CAP
8	1	MTTE-A0005	(RIGHT) M. ARM ASSEMBLY
9	1	OK50-P1110	GUIDE ROD COLLAR
10	1	AK50-S0021	Increment Weight Assembly
12	2	MTBC-P0020	MTS SIDE SHIELD
13	1	OK50-P1161(FORMED)	MTS PLASTIC PANEL
14	4	0017-00042-1041	HAMMER HEAD WASHER
19	2	0017-00101-1572	1/2-13 X 2.50 UNS HEX BLT G5 ZN
21	2	0017-00101-1585	1/4-20 X 2.50 UNC HEX BLT G5 ZN
22	2	0017-00103-0226	NUT 1/4 - 20 NYLOC D ST ZN
23	5	0017-00104-0311	1/2" SAE FLAT WASHER
24	4	0017-00104-0379	1/2" INTERNAL LOCK WASHER
25	3	0017-00103-0223	1/2" THICK LOCK NUT
26	1	0017-00101-1574	1/2 X 3 1/4 Bolt
28	1	OK50-P1132	BELT WRAP PEG
29	2	0017-00103-0217	NUT 3/8 - NYLOC; THIN NY NO
30	4	0017-00101-1412	3/8-16 X 20 UNS HEX BLT G5 ZN
31	4	0017-00104-0377	WSH .375 INT LOCK ST ZN
32	1	OK50-P1121	Strap Clamp 2
33	1	AK50-S0023	BELT ATTACHMENT PLATE
34	1	0017-00009-1019	3/4" Lock Collar
35	2	0017-00101-1587	SHIELD RIVET
36	1	0017-00042-1042.(MTTE)	BELLOW, PLASTIC
37	1	0017-00033-0855 (MTTE)	MTTE STRAP (52..50")
41	1	0017-00042-0954	1.375 X .750 BLACK RUBBER CAP
42	1	0017-00101-1586	1/2-13 X .750 UNC HEX BLT G5 BLK ZN

# MTTE TRICEPS EXTENSION

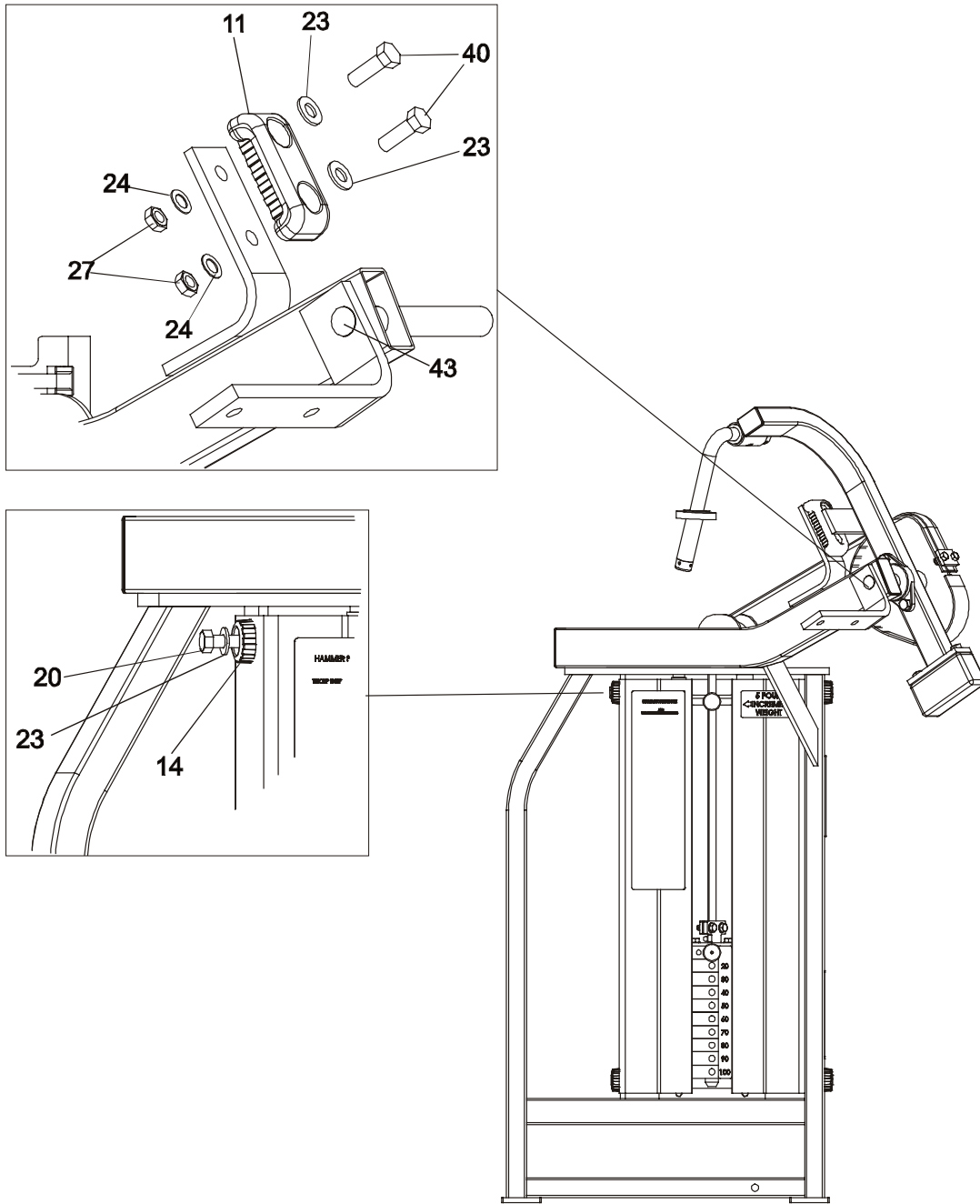
## LEFT STACK BUMPERS



ITEM NO.	QTY.	PART NO.	DESCRIPTION
11	1	0017-00042-1040	HAMMER HEAD SMALL BUMPER
14	4	0017-00042-1041	HAMMER HEAD WASHER
28	5	0017-00104-0311	1/2" SAE FLAT WASHER
29	4	0017-00104-0379	1/2" INTERNAL LOCK WASHER
31	2	0017-00103-0224	1/2-13 JAM LOCK NUT ST BZ
32	2	0017-00101-1584	1/2 X 1 1/2 Bolt
40	1	0017-00042-0954	1.375 X .750 BLACK RUBBER CAP
41	1	M051-00465-A000	PIVOT POINT LABEL

# MTTE TRICEPS EXTENSION

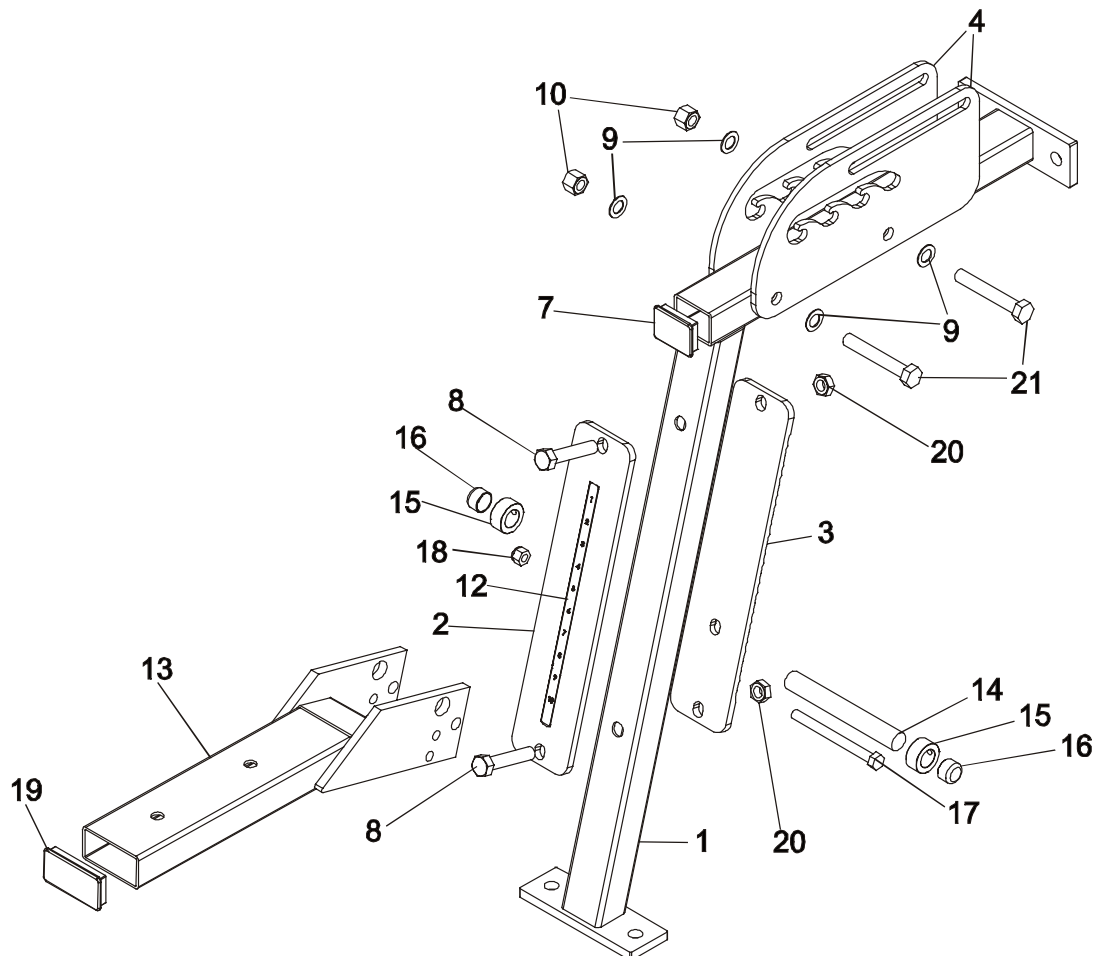
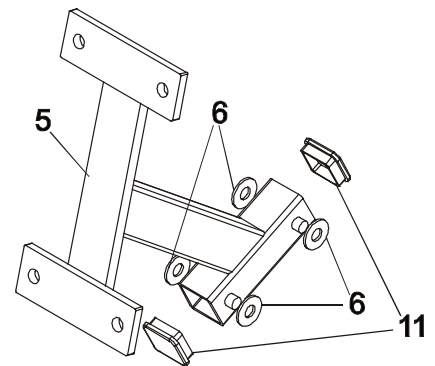
## RIGHT STACK BUMPERS



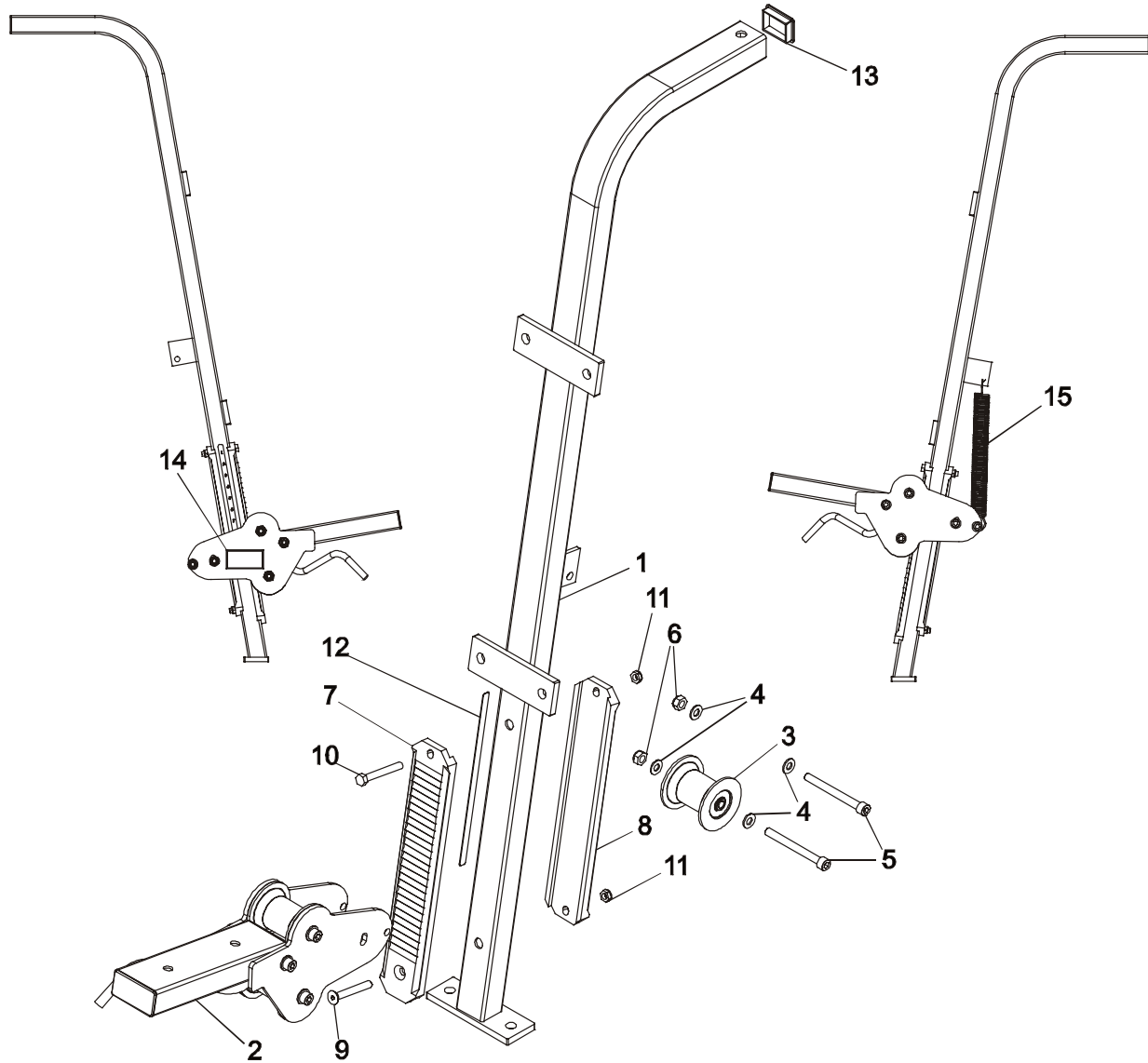
ITEM NO.	QTY.	PART NO.	DESCRIPTION
11	1	0017-00042-1040	HAMMER HEAD SMALL BUMPER
14	4	0017-00042-1041	HAMMER HEAD WASHER
20	1	0017-00101-1583	1/2-13 X 1.25 UNC HEX BLT G5 ZN
23	5	0017-00104-0311	1/2" SAE FLAT WASHER
24	4	0017-00104-0379	1/2" INTERNAL LOCK WASHER
27	2	0017-00103-0224	1/2-13 JAM LOCK NUT ST BZ
40	2	0017-00101-1584	1/2 X 1 1/2 Bolt
43	1	M051-00465-A000	PIVOT POINT LABEL

# MTTE TRICEPS EXTENSION SEAT FRAME WELDMNT

ITEM NO	QTY.	PART NO.	DESCRIPTION
1	1	MTTE-S0001	Seat Frame Sub-Asm
2	1	0K50-P1017	Seatrack Front
3	1	0K50-P1018	Seatrack Back
4	2	MTTE-P0020	Chest Pad Stop
5	1	MTRW-S0009	CHEST PAD UPH FRAME
6	4	0017-00104-0390	WHT TEFLON FLAT WASHER
7	1	0017-00042-0945	1 1/2 X 2 Endcap
8	2	0017-00101-1572	1/2-13 X 2.50 UNS HEX BLT G5 ZN
9	4	0017-00104-0379	1/2" INTERNAL LOCK WASHER
10	2	0017-00103-0223	1/2" THICK LOCK NUT
11	2	0017-00042-0947	1-3/4" X 1-3/4" 11 GAUGE PLASTIC CAP
12	1	M051-00296-A000	NUMBER STRIP (1-12)
13	1	0K50-S1003	MTS SEAT 2
14	1	0K50-P1007	Standard Hammer Seat Shaft
15	2	0017-00009-1019	3/4" Lock Collar
16	2	0017-00042-0967	3/4 I.D. BLACK PLASTIC ROD CAP
17	1	0017-00101-1567	3/8 X 4 1/4 Bolt
18	1	0017-00103-0229	NUT 3/8 - 16 NYLOC D ST ZN
19	1	0017-00042-1038	1.5" X 3.0" PLASTIC END CAP
20	2	0017-00103-0224	1/2-13 JAM LOCK NUT ST BZ
21	2	0017-00101-1574	1/2 X 3 1/4 Bolt

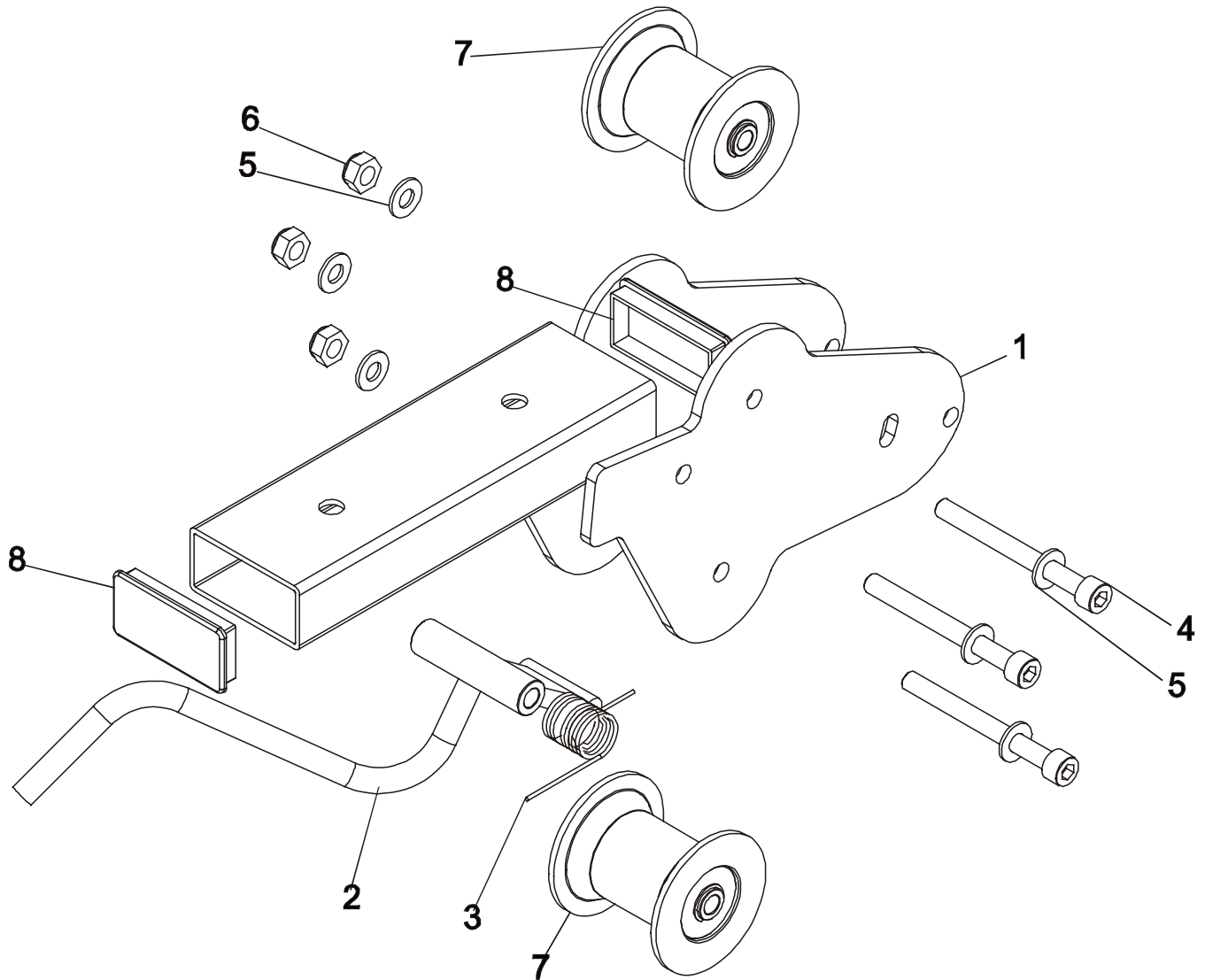


# MTTE TRICEPS EXTENSION SEAT FRAME ASSEMBLY



ITEM NO.	QTY.	PART NO.	DESCRIPTION
1	1	MTIP-S0012	BACK FRAME WELDMENT, SEAT
2	1	AK50-A1006	MTS SEAT #1 ASSM. (ROLLER)
3	1	73763	ROLLER ASSM.
4	4	0017-00104-0377	3/8" Internal Lock Washer
5	2	0017-00101-1662	M10 X 64 HXS SOC CS ST ZN
6	2	0017-00103-0289	10mm THIN NYLOC NUT
7	1	7359401	Seatrack, Roller Serrated
8	1	7359501	Seatrack, Roller Flat
9	1	0017-00101-1664	3/8" FLAT HEAD BOLT
10	1	0017-00101-1408	3/8 X 2 3/4 Bolt
11	2	0017-00103-0217	3/8" Thin Lock Nut
12	1	M051-00296-A000	NUMBER STRIP (1-12)
13	1	0017-00042-0945	1 1/2 X 2 Endcap
14	1	M051-00602-A000	MTAB SEAT INSTR. DECAL
15	1	7442601	MTS SEAT EXTENSION SPRING

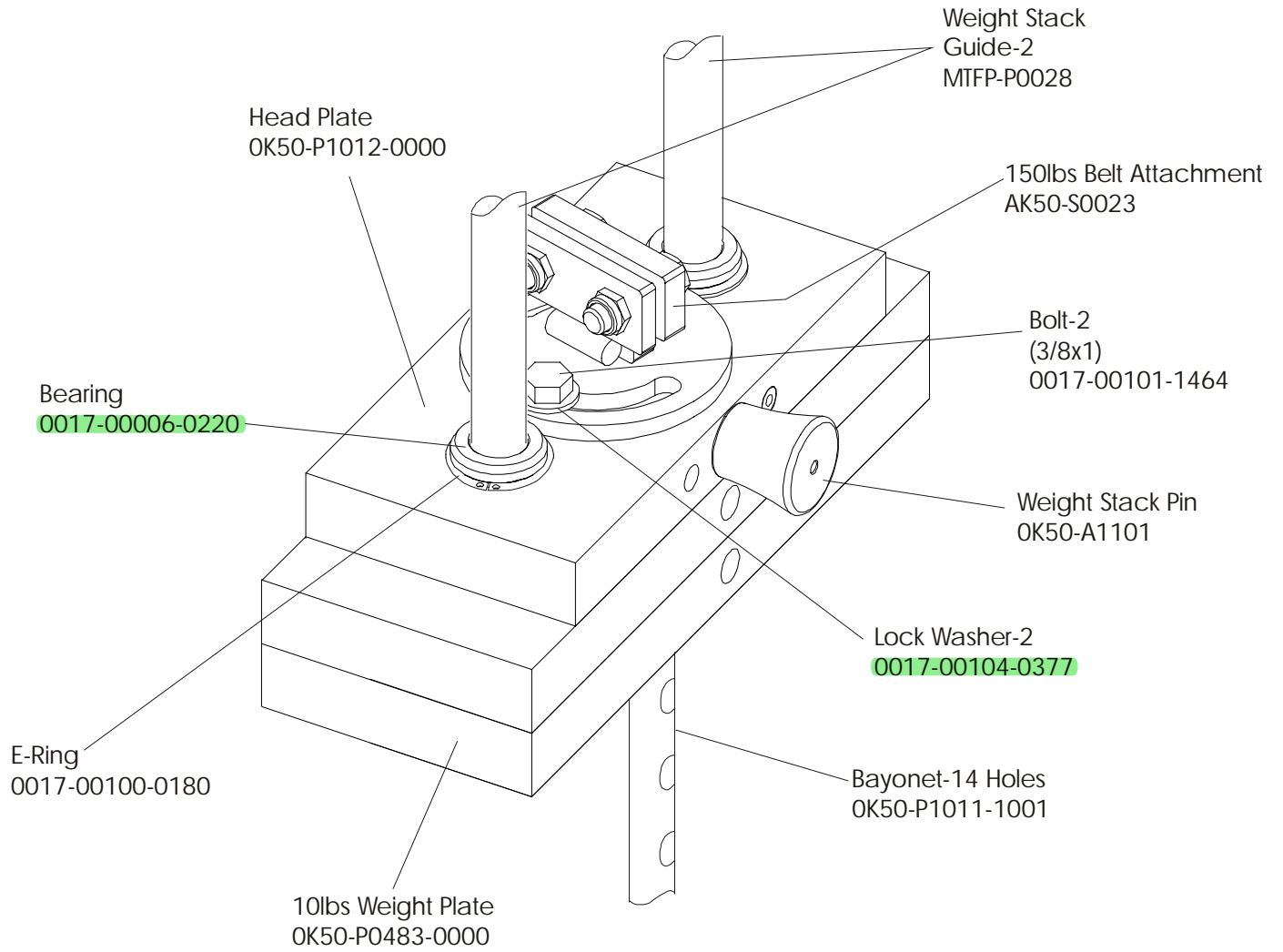
# MTTE TRICEPS EXTENSION SEAT ROLLER ASSEMBLY



ITEM NO.	QTY.	PART NO.	DESCRIPTION
1	1	0K50-S1007	MTS SEAT #2 (ROLLER)
2	1	AK50-S0041-0000	WELDMENT, PS- ROLLER SEAT HANDLE
3	1	0017-00009-1110	TORSION SPRING, S.S.
4	3	0017-00101-1662	M10 X 64 HXS SOC CS ST ZN
5	6	0017-00104-0377	3/8" Internal Lock Washer
6	3	0017-00103-0289	10mm THIN NYLOC NUT
7	2	73763	ROLLER ASSM.
8	2	0017-00042-1038	1.5" X 3.0" PLASTIC END CAP

# MTTE TRICEPS EXTENSION WEIGHT STACK

---

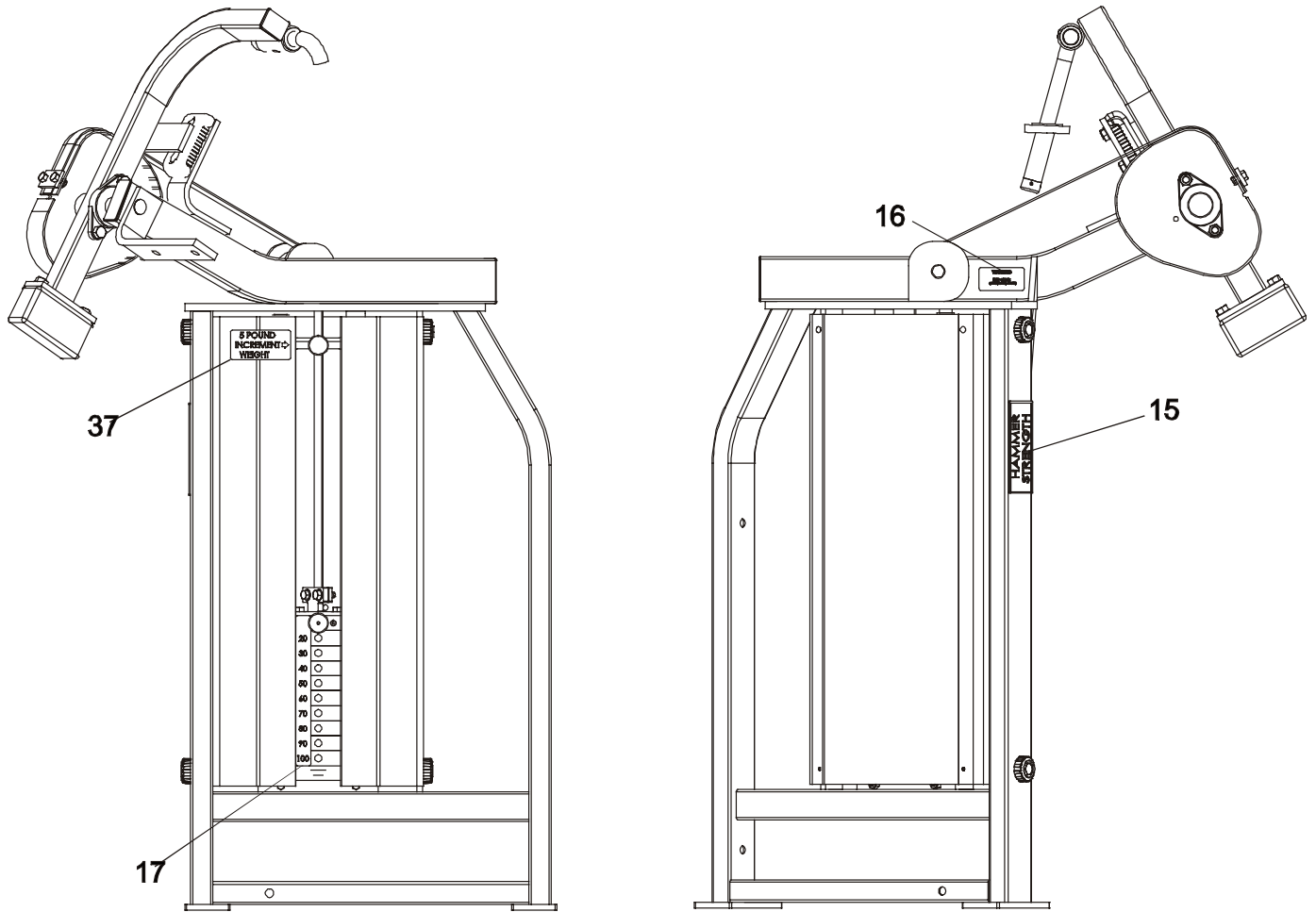




# MTTE TRICEPS EXTENSION

## LEFT STACK DECALS

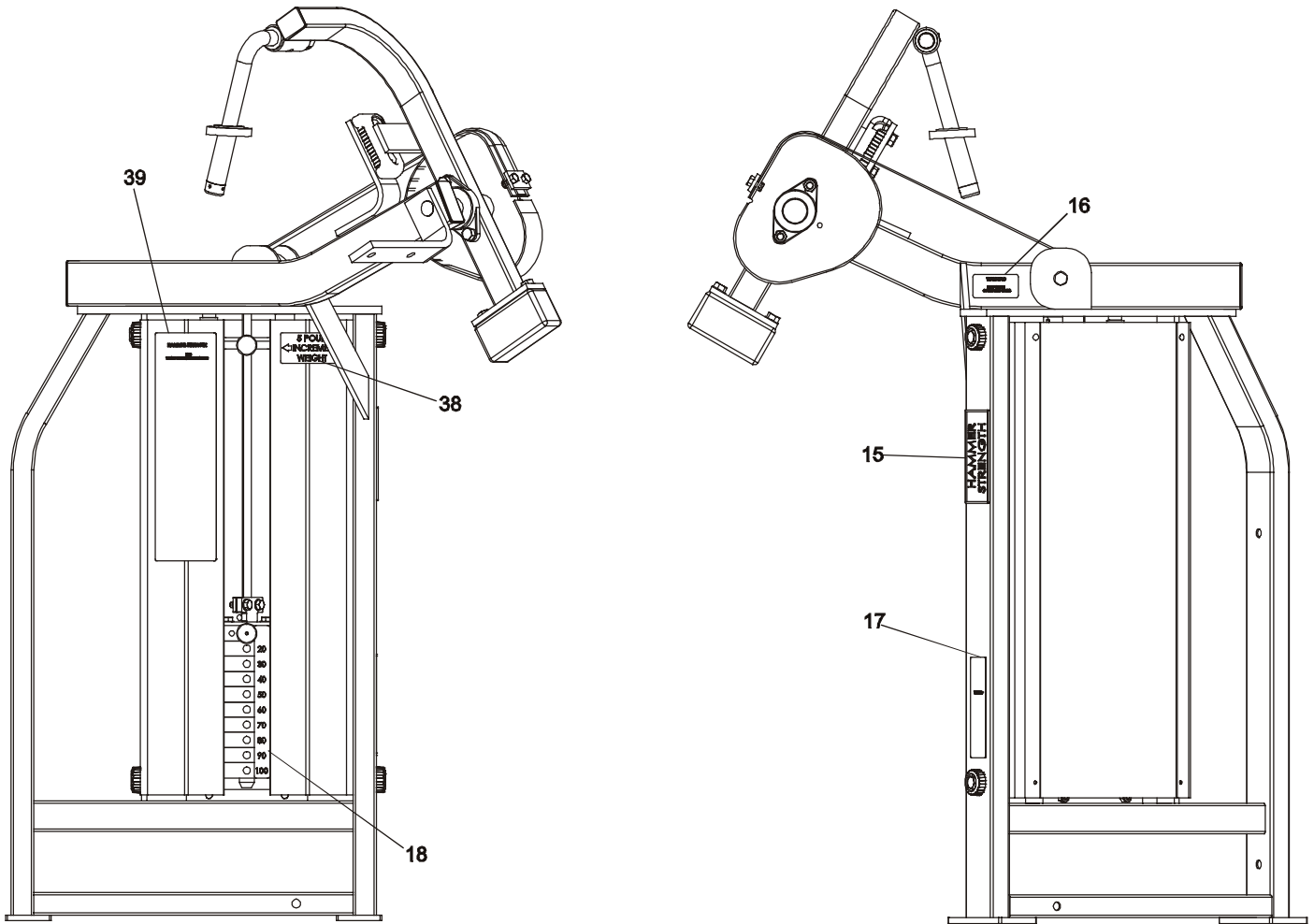
---



ITEM NO.	QTY.	PART NO.	DESCRIPTION
15	1	M051-00289-A000	HAMMER STRENGTH NAME PLATE
16	1	M051-00293-A000	WARNING DECAL
17	1	M051-00443-A000	WEIGHT STACK NUMBER STRIP
37	1	M051-00297-A000	INCREMENT WT. DECAL (RIGHT)

# MTTE TRICEPS EXTENSION

## RIGHT STACK DECALS



ITEM NO.	QTY.	PART NO.	DESCRIPTION
15	1	M051-00289-A000	HAMMER STRENGTH NAME PLATE
16	1	M051-00293-A000	WARNING DECAL
17	1	M051-00335-A000	WARNING DECAL
18	1	M051-00443-A000	WEIGHT STACK NUMBER STRIP
38	1	M051-00298-A000	INCREMENT WT. DECAL (LEFT)
39	1	M051-00451-A000	MTTE INSTRUCTIONAL DECAL